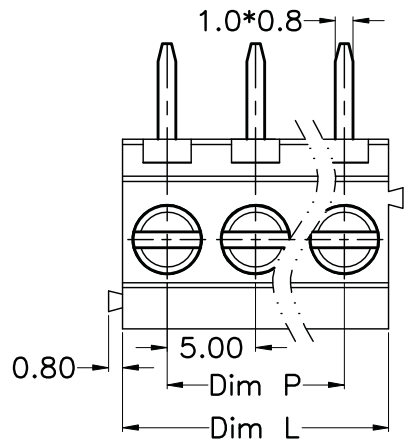


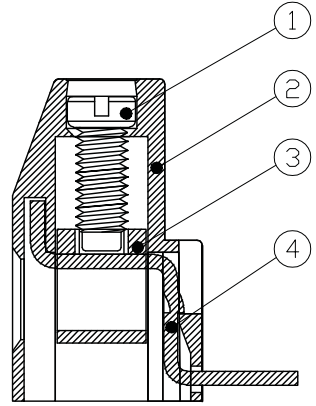
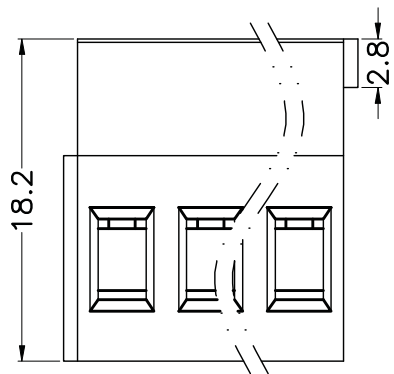
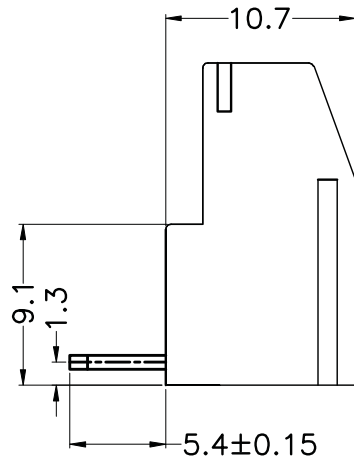
REV.	DESCRIPTION	DATE	DRAWN	APPROVED
A1	DWG.REL	2016/10/7	FANG	YANG



- Material
 - ØScrews : M3.0 steel, Zinc plated, “-” slot type
 - ØHousing : PA66, UL94V-0
 - ØClamp : Brass, Ni plated
 - ØPin header : Brass, Tin plated
- Electrical

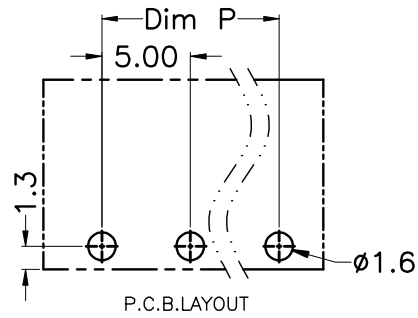
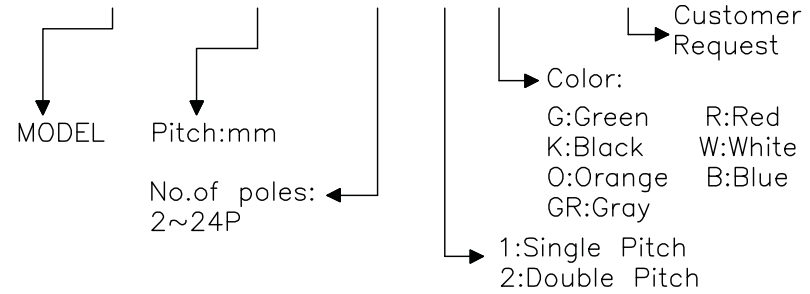
	UL	IEC
Rated voltage :	300V	250V
Rated current :	20A	20A
Insulation resistance:	500MΩ/DC500V	
Withstanding Voltage :	AC2000V/1min	
Wire range:	24-12AWG	4.0mm ²

- Mechanical
 - Operating temperature: -40°C ~ +105°C
 - Soldering temperature: 250°C ± 5/5sec
 - Torque: 0.5N.m (4.43Lb.in)
 - Strip length: 6-7mm



HOW TO ORDER

129R-5.0-XXP-1 X-XXXXX



N=Number of Poles
 Dim P=(N-1)x5.00
 Dim L=Nx5.00

Poles	Dim P	Dim L
2-6P	±0.10	±0.15
7-12P	±0.20	±0.20
13-18P	±0.25	±0.30
19-24P	±0.30	±0.40

GENERAL TOLERANCE		ANGLE TOLERANCE	
X.	±0.5	X'	±5'
.X	±0.3	.X'	±3'
.XX	±0.1	.XX'	±1'

PROJECTION		TITLE	ST129R-5.0/5.08
UNITS	mm	SERIES	ST129R
SHEET SIZE	A4		

DRAWING TYPE	CUSTOMER		
SCALE	1:1	SHEET	1 OF 1
DRAWING NO.	XP0012016-xxxx		

慈溪市速腾电子有限公司
 CIXI SUTENG ELECTRONIC CO., LTD