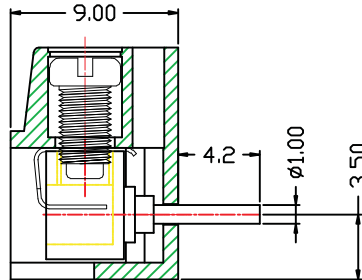
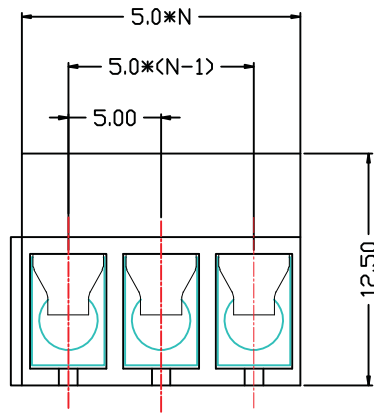
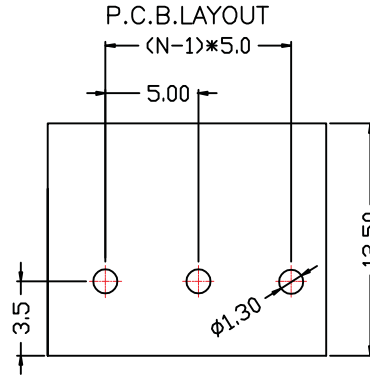
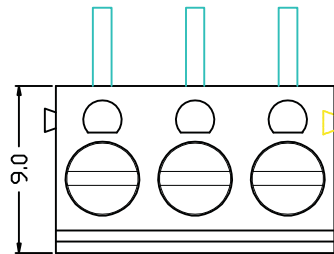


RoHS Compliant Customer Drawing

REV.	ECN NO.	DESCRIPTION	DATE	DESIGN

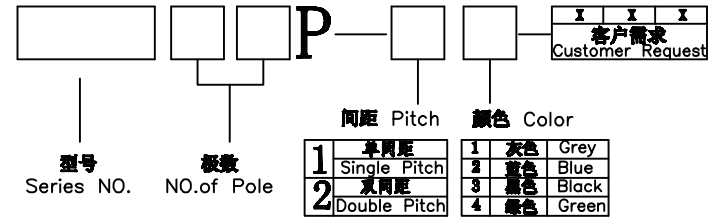


·**材质及电镀(Material)**
 螺丝(Screw):M3,钢,镀锌(steel, zinc Plated)
 弹片(Wire Protector):磷青铜,镀锡或不镀锡
 (Phosphor bronze, Ni plated or stainless steel)
 焊片(Pin header):黄铜,镀锡(Brass, Tin plated)
 塑件(Housing): PBT, UL94V-0

·**电气性能(Electrical)**
 额定电压(Rated Voltage): 300V
 额定电流(Rated Current): 12A
 接触电阻(Contact Resistance): 20mΩ
 绝缘电阻(Insulation Resistance): 5000MΩ/1000V
 耐电压(Withstanding Voltage): AC1500V/1Min
 使用线径(Wire Range): 22-14AWG 2.5mm²

·**机械性能(Mechanical)**
 温度范围(Temperature Range): -30℃~ +120℃
 瞬时温度(MAX Soldering): +250℃, 5秒(5 Seconds)
 扭矩(Torque): 0.4Nm(3.6lb.in)
 剥线长度(Strip length): 4.5-5mm

订购方式/HOW TO ORDER



Contact Us

TEL: +86 - 574 - 63510149

FAX: +86 - 574 - 63516735

E-Mail: Sales@cxsuteng.com

Website: www.cxsuteng.com

N=No. of contacts

公差一览表				慈溪市速腾电子有限公司					
TOLERANCE UNLESS OTHERWISE				SUTOWN CIXI SUTENG ELECTRONIC CO., LTD					
X.	±0.25	X*.	±5°	单位	mm	制图	No.01	产品名称	ST300R-5.0
.X	±0.20	.X*.	±2°	UNIT	mm	DRAWING	No.01	NAME	
.XX	±0.15	.XX*.	±1°	角法	角法	设计	No.06	产品型号	ST300R-5.0
.XXX	±0.02	.XXX*.	±0.5°	VIEW	角法	DESIGN	No.06	PART NO.	
日期	2012.07.10	版本	A0	SCALE	1:1	审核		图号	ST300R-5.0
DATE	2012.07.10	VER	A0	SCALE	1:1	APPD		DRAW NO.	