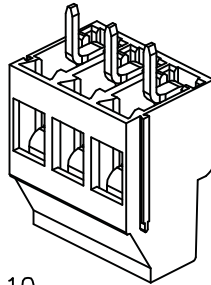
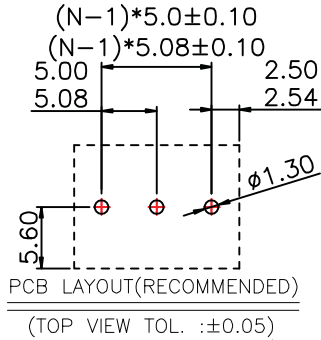


RoHS Compliant Customer Drawing

REV.	ECN NO.	DESCRIPTION	DATE	DESIGN



**SPECIFICATION**

**MATERIAL**

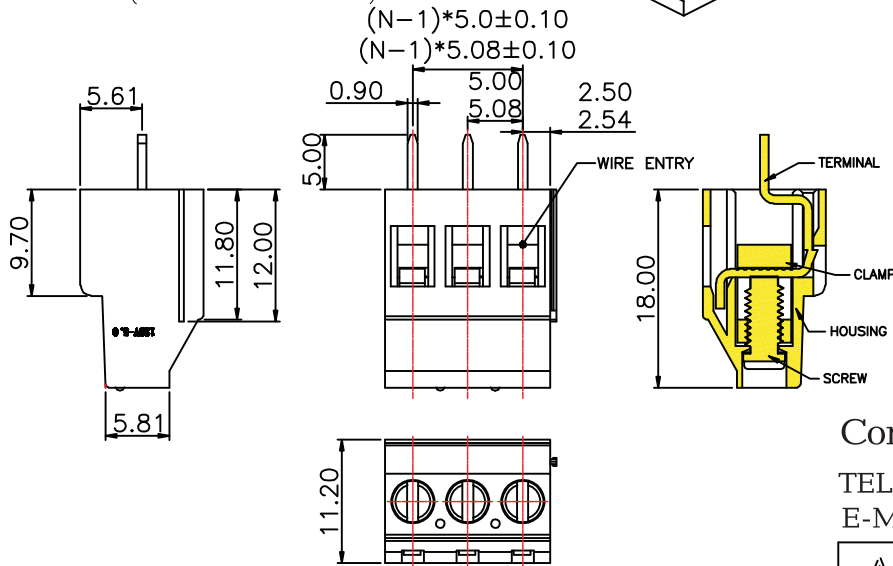
Housing: PA66, UL94V-0  
Screw: M3 Steel, Zinc Plated  
Terminal: Brass, Tin Plated  
Clamp: Brass, Ni Plated

**ELECTRICAL**

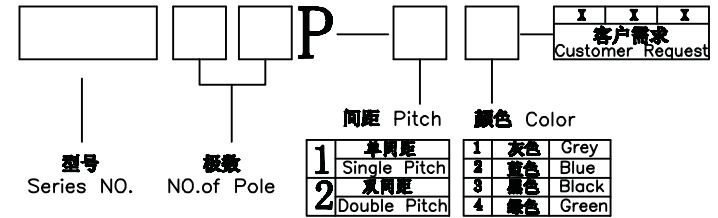
Rated voltage: 300V  
Rated current: 20A  
Wire Range (AWG/MM<sup>2</sup>): 24-12AWG/0.2-4MM<sup>2</sup>  
Withstanding voltage: AC2000V/ 1Min

**MECHANICAL**

Torque: 0.5Nm (4.4Lb-In.)  
Strip Length: 7mm  
Operating Temperature: -40°C ~ +105°C



**订购方式/HOW TO ORDER**



**Contact Us**

TEL: +86 - 574 - 63510149

FAX: +86 - 574 - 63516735

E-Mail: Sales@cxsuteng.com

Website: www.cxsuteng.com

N = No. of contacts

公差一览表 TOLERANCE UNLESS OTHERWISE				慈溪市速腾电子有限公司 SUTOWN CIXI SUTENG ELECTRONIC CO., LTD					
X.	±0.25	X°	±5°	单位 UNITS	mm	制图 DRAWING	No.01	产品名称 TITLE	ST129V-5.0/5.08
.X	±0.20	.X°	±2°	角法 VIEW	第一角	设计 DESIGN	No.06	产品编号 PART NO.	ST129V-5.0/5.08
.XX	±0.15	.XX°	±1°	比例 SCALE	1:1	审核 CHKD		图号 DRAW NO.	ST129V-5.0/5.08
.XXX	±0.02	.XXX°	±0.5°	日期 DATE	2012.07.10	版本 APPD	AO		ST129V-5.0/5.08