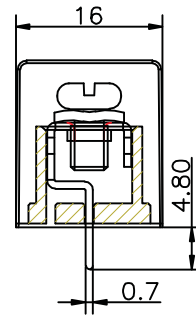
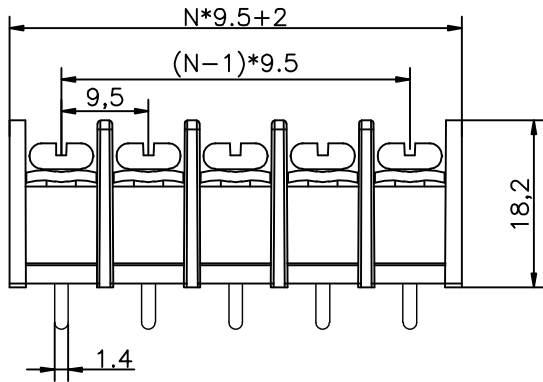
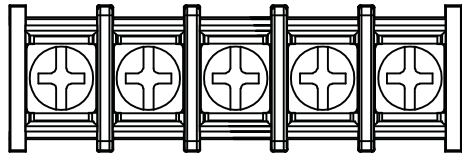


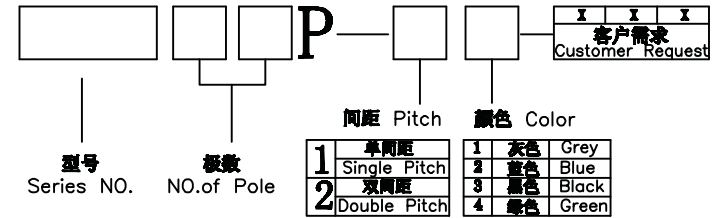
RoHS Compliant Customer Drawing

REV.	ECN NO.	DESCRIPTION	DATE	DESIGN



- 材质及电镀(Material)  
 塑件(Housing): PA66, UL94V-0  
 端子(Terminal): 黄铜, 0.8t; 镀锡(Brass, Tin plated)  
 螺丝(Screw): M4, 钢, 镀镍(Steel, Ni-Plated)
- 电气性能(Electrical)  
 额定电压(Rated Voltage): 300V  
 额定电流(Rated Current): 25A  
 绝缘电阻(Insulation Resistance): 500MΩ/DC500V  
 耐电压(Withstanding Voltage): AC2000V/Min
- 机械性能(Mechanical)  
 温度范围(Temperature Range): -40℃~ +105℃  
 适用线径(Wire Range): 22-14AWG  
 最大扭矩(Max. Torque Value): 0.5N.m 4.4Lb.in

订购方式/HOW TO ORDER



Contact Us

TEL: +86 - 574 - 63510149 FAX: +86 - 574 - 63516735  
 E-Mail: Sales@cxsuteng.com Website: www.cxsuteng.com

N = No. of contacts

公差一览表 TOLERANCE UNLESS OTHERWISE				慈溪市速腾电子有限公司 CIXI SUTENG ELECTRONIC CO., LTD					
X.	±0.25	X°	±5°	单位 UNITS	mm	制图 DRAWING	No.01	产品名称 TITLE	ST45C-9.50
.X	±0.20	.X°	±2°	角法 VIEW	∠	设计 DESIGN	No.06	产品料号 PART NO.	ST45C-9.50
.XX	±0.15	.XX°	±1°	比例 SCALE	1:1	审核 CHKD		图号 DRAW NO.	ST45C-9.50
.XXX	±0.02	.XXX°	±0.5°	日期 DATE	2012.07.10	版本 APPD	AO		