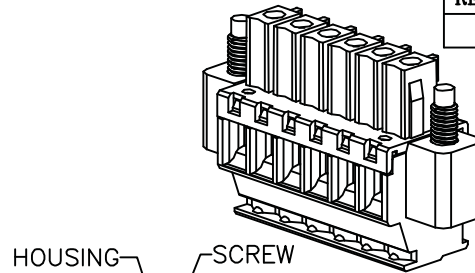
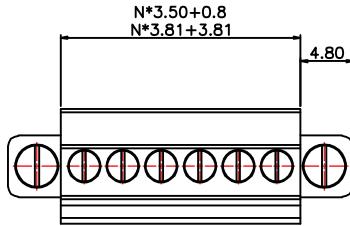


RoHS Compliant Customer Drawing

REV.	ECN NO.	DESCRIPTION	DATE	DESIGN



SPECIFICATION

MATERIAL

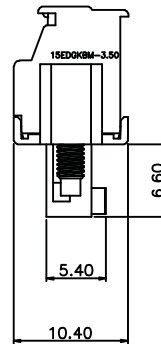
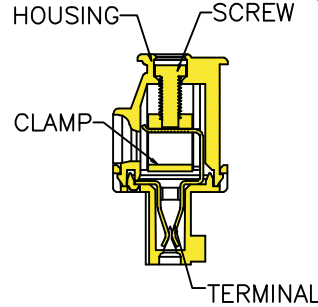
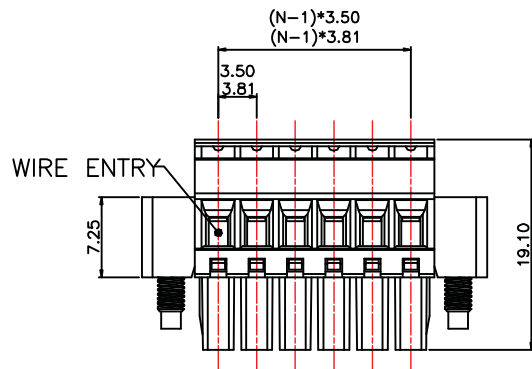
Housing:PA66,UL94V-0
Screw:M2 Steel,Zinc Plated
Terminal:Phosphor Bronze,Tin Plated
Clamp:Brass,Ni Plated

ELECTRICAL

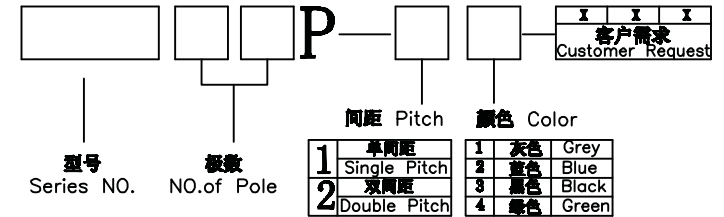
Rated voltage:300V
Rated current:8A
Wire Range(AWG/MM²):28-16AWG/0.5-1.5MM²
Withstanding voltage: AC2000V/1Min

MECHANICAL

Torque:0.2Nm(1.7Lb-In.)
Strip Length:7mm
Operating Temperature:-40°C~+105°C



订购方式/HOW TO ORDER



Contact Us

TEL:+86-574-63510149

FAX:+86-574-63516735

E-Mail:Sales@cxsuteng.com

Website:www.cxsuteng.com

公差一览表 TOLERANCE UNLESS OTHERWISE				慈溪市速腾电子有限公司 CIXI SUTENG ELECTRONIC CO., LTD					
X.	±0.25	X°	±5°	单位 UNITS	mm	制图 DRAWING	No.01	产品名称 TITLE	ST15EDGKBM-3.50
.X	±0.20	.X°	±2°	角法 VIEW	第三角	设计 DESIGN	No.06	产品料号 PART NO.	ST15EDGKBM-3.50
.XX	±0.15	.XX°	±1°	比例 SCALE	1:1	审核 CHKD		图号 DRAW NO.	ST15EDGKBM-3.50
.XXX	±0.02	.XXX°	±0.5°	日期 DATE	2012.07.10	版本 APPD	A0		ST15EDGKBM-3.50

N=No.of contacts