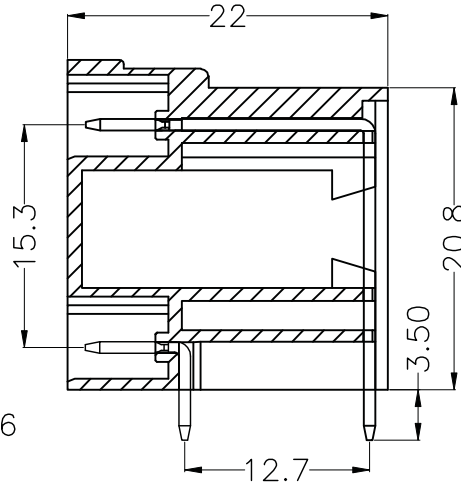
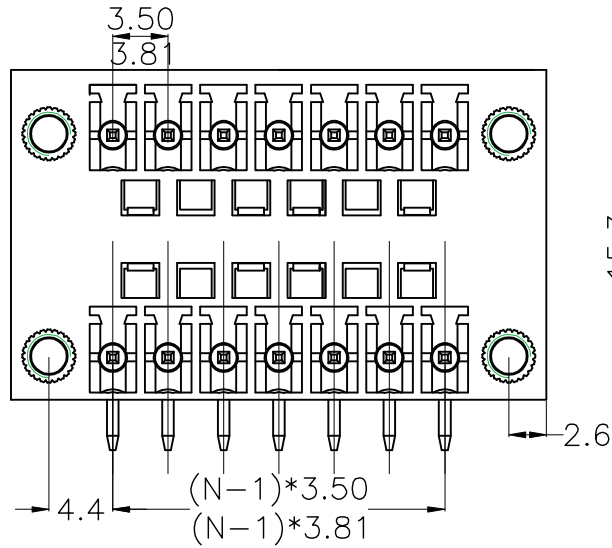


RoHS Compliant Customer Drawing

REV.	ECN NO.	DESCRIPTION	DATE	DESIGN

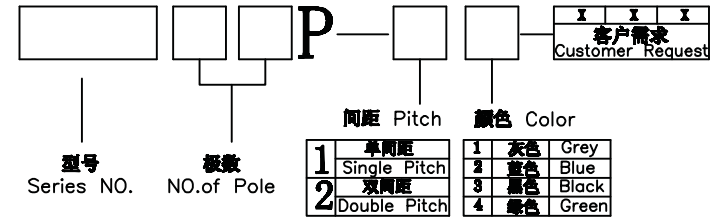


·材质及电镀(Material)
 焊针(Pin header):黄铜,镀锡(Brass,Tin plated)
 塑件(Housing): PA66, UL94V-0

·电气性能(Electrical)
 额定电压(Rated Voltage): 300V
 额定电流(Rated Current): 8A
 接触电阻(Contact Resistance): 20mΩ
 绝缘电阻(Insulation Resistance): 5000MΩ/1000V
 耐电压(Withstanding Voltage): AC1500V/1Min

·机械性能(Mechanical)
 温度范围(Temperature Range): -40℃~ +105℃
 瞬时温度(MAX Soldering): +250℃, 5秒(5 Seconds)

订购方式/HOW TO ORDER



Contact Us

TEL: +86 - 574 - 63510149

FAX: +86 - 574 - 63516735

E-Mail: Sales@cxsuteng.com

Website: www.cxsuteng.com

N=No. of contacts

公差一览表 TOLERANCE UNLESS OTHERWISE				慈溪市速腾电子有限公司 SUTOWN CIXI SUTENG ELECTRONIC CO., LTD					
X.	±0.25	X°	±5°	单位 UNITS	mm	制图 DRAWING	No.01	产品名称 TITLE	ST15EDGRHM-3.5/3.81
.X	±0.20	.X°	±2°	角法 VIEW	第一角	设计 DESIGN	No.06	产品料号 PART NO.	ST15EDGRHM-3.5/3.81
.XX	±0.15	.XX°	±1°	比例 SCALE	1:1	审核 CHKD		图号 DRAW NO.	ST15EDGRHM-3.5/3.81
.XXX	±0.02	.XXX°	±0.5°	日期 DATE	2012.07.10	版本 APPD	AO		