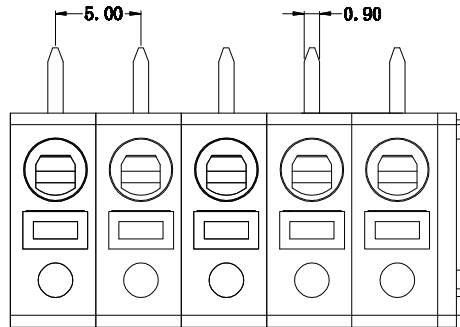
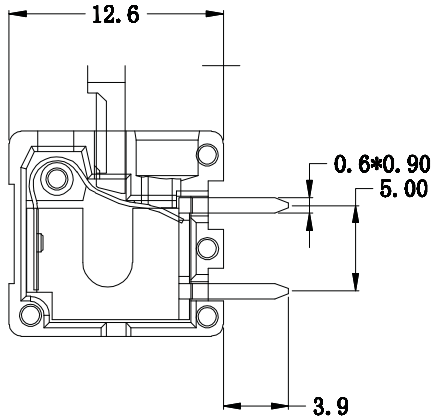
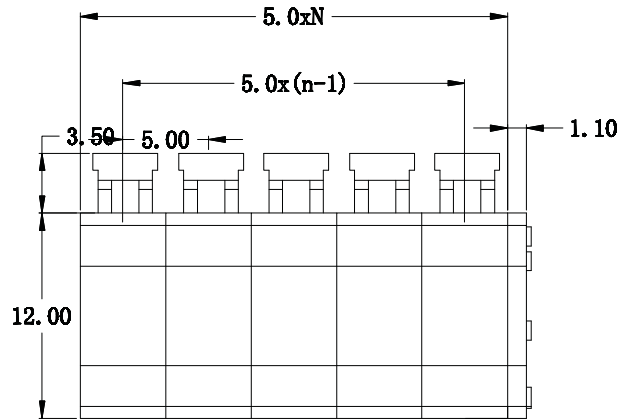


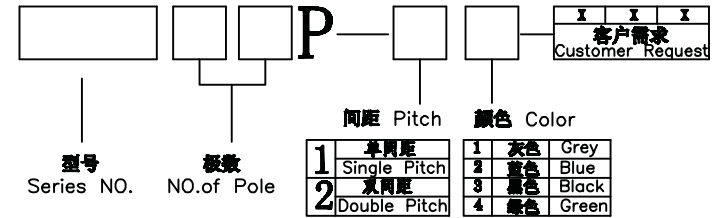
RoHS Compliant Customer Drawing

REV.	ECN NO.	DESCRIPTION	DATE	DESIGN



- Material
Pin header: Brass, Tin plated
Housing: PA66, UL94V-0
- Electrical
Rated Voltage: 300V
Rated Current: 8A
Contact Resistance: 20mΩ
Insulation Resistance: 5000MΩ/1000V
Withstanding Voltage: AC1500V/1Min
Wire Range: 22-16AWG 1.5mm²
- Mechanical
Temperature Range: -40℃~+105℃
MAX Soldering: +250℃, 5秒(5 Seconds)
Strip length: 8-9mm

订购方式/HOW TO ORDER



Contact Us

TEL: +86 - 574 - 63510149 FAX: +86 - 574 - 63516735
E-Mail: Sales@cxsuteng.com Website: www.cxsuteng.com

N = No. of contacts

公差一览表 TOLERANCE UNLESS OTHERWISE				慈溪市速腾电子有限公司 SUTOWN CIXI SUTENG ELECTRONIC CO., LTD					
X.	±0.25	X°	±5°	单位 UNITS	mm	制图 DRAWING	No.01	产品名称 TITLE	ST211R-5.0
.X	±0.20	.X°	±2°	角法 VIEW	第三角	设计 DESIGN	No.06	产品料号 PART NO.	ST211R-5.0
.XX	±0.15	.XX°	±1°	比例 SCALE	1:1	审核 CHECK		图号 DRAW NO.	ST211R-5.0
.XXX	±0.02	.XXX°	±0.5°	日期 DATE	2012.07.10	版本 APPD	AO		ST211R-5.0