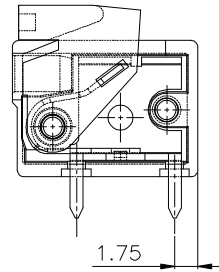
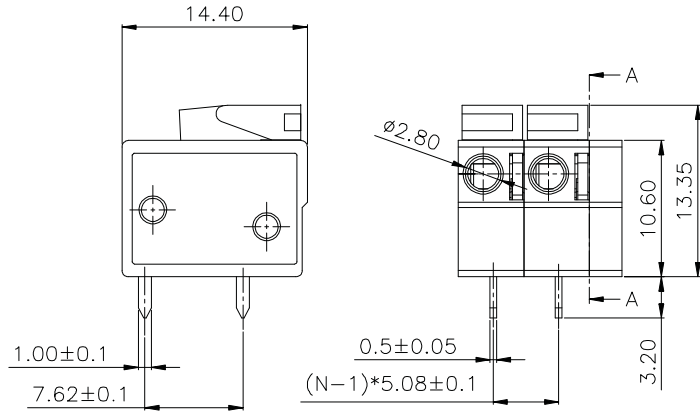
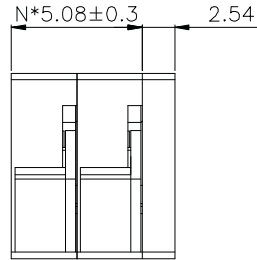


RoHS Compliant Customer Drawing

REV.	ECN NO.	DESCRIPTION	DATE	DESIGN

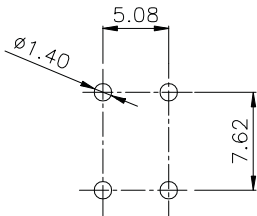
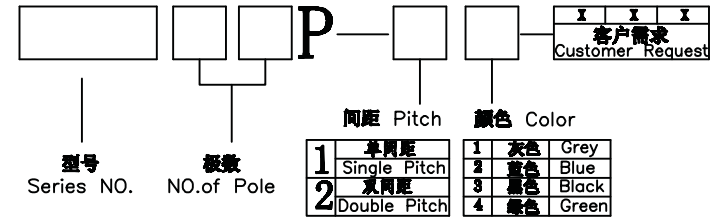
N:NUMBER OF CONTACTS



WITHOUT COVER

- MATERIAL
WIRE GUARD: STAINLESS STEEL(SUB301)
PIN HEADER : BRASS, TIN PLATED
HOUSING : PA66, UL94V-0
- ELECTRICAL
RATED VOLTAGE : 250V
RATED CURRENT : 10A
CONTACT RESISTANCE : 20mΩ
INSULATION RESISTANCE : 5000MΩ/1000V
WITHSTANDING VOLTAGE : AC2000V/1Min
WIRE RANGE: 22-14AWG 1.5mm²
- MECHANICAL
TEMP.RANGE : -40℃~+105℃
MAX SOLDERING : +250℃, FOR 5 SEC.
STRIP LENGTH: 10mm

订购方式/HOW TO ORDER



RECOMMEND PCB LAYOUT(TOLERANCE=±0.05)

N=No.of contacts

Contact Us

TEL:+86-574-63510149 FAX:+86-574-63516735
E-Mail:Sales@cxsuteng.com Website:www.cxsuteng.com

公差一览表 TOLERANCE UNLESS OTHERWISE				慈溪市速腾电子有限公司 CIXI SUTENG ELECTRONIC CO., LTD					
X.	±0.25	X°	±5°	单位 UNITS	mm	制图 DRAWING	No.01	产品名称 TITLE	ST142R-5.08
.X	±0.20	.X°	±2°	角法 VIEW	第三角	设计 DESIGN	No.06	产品料号 PART NO.	ST142R-5.08
.XX	±0.15	.XX°	±1°	比例 SCALE	1:1	审核 CHKD		图号 DRAW NO.	ST142R-5.08
.XXX	±0.02	.XXX°	±0.5°	日期 DATE	2012.07.10	版本 APPD	AO		ST142R-5.08